

# **PRO series Cone Crushers for Secondary and Tertiary Crushing**



**REMco**

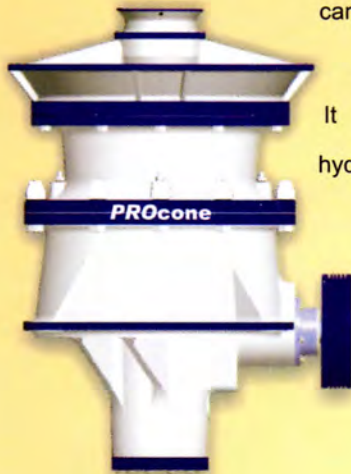
**PROMAN**



## PROMAN introduces the PROcone

**PROMAN** introduces the latest technology-based **PROcone** Secondary and Tertiary cone crushers for crushing all types of feed material to obtain the desired product sizes and capacities in the most economical manner.

**PROcone** crushers are most versatile in terms of the cavity design and eccentric throw to suit the aggregate and mining industry's crushing requirements to provide good quality and quantity of end products. Due to its compactness, **PROcone**



can be easily fitted in a fixed plant or a mobile plant environment.

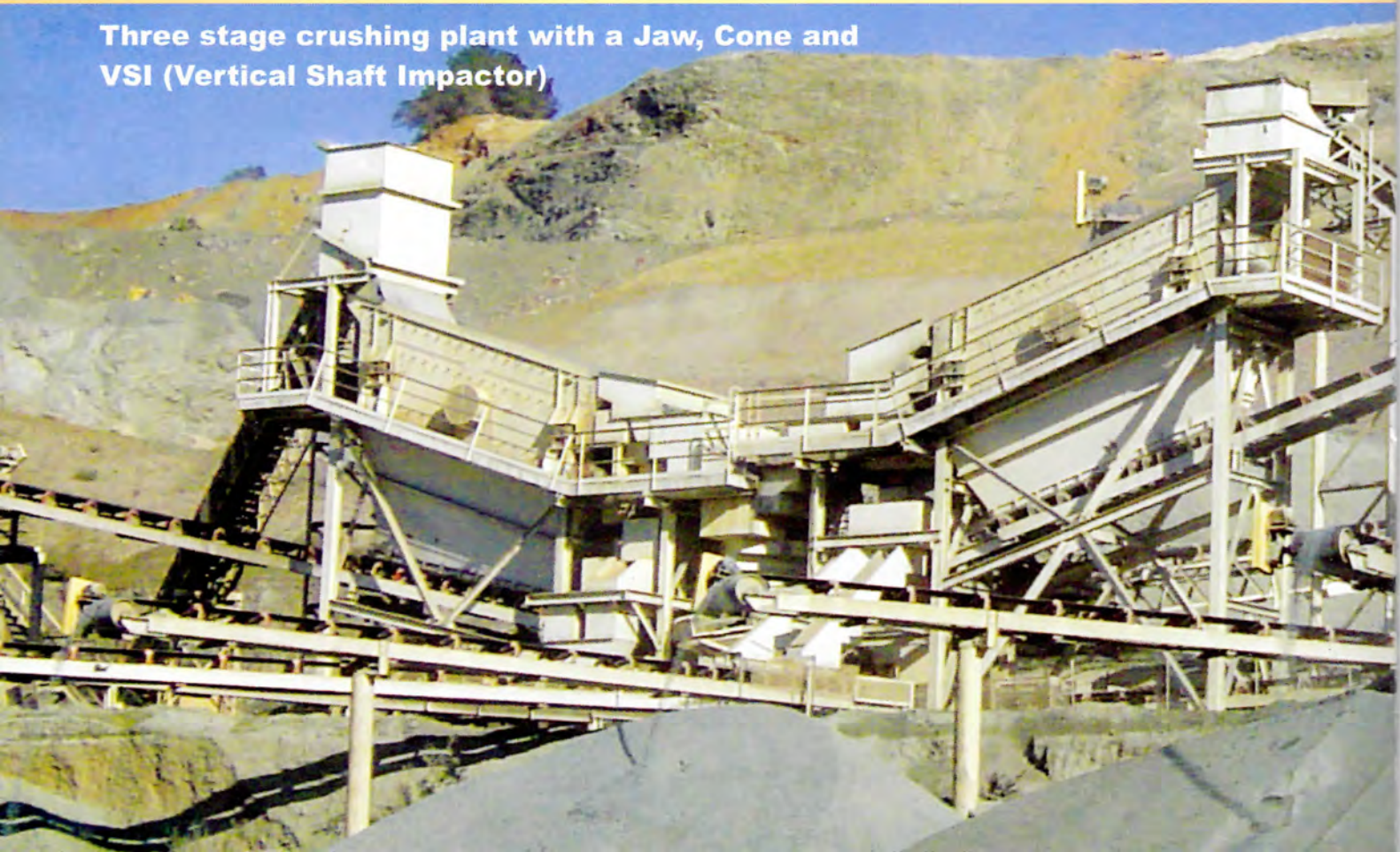
It is sturdily built in with a hydraulic gap setting and overload protection for easy and safe operation. **PROcone** is backed by **PROMAN's** comprehensive after sales service and extensive professional expertise.

**PROcone** is designed with a superior liner configuration and an efficient crushing chamber which results in :

- High reliability for crushing any feed material.
- No backing compound required making liner changes simple, efficient and safe.
- Optimum liner utilization.
- Protection against overload or entry of foreign metal
- Sturdy crusher housing to withstand severe forces of crushing.
- Fewer points for maintenance and easy accessibility for quick attendance.



## Three stage crushing plant with a Jaw, Cone and VSI (Vertical Shaft Impactor)





## **PROcone features and benefits**

### **Ease of operation**

**PROcone** has a hydraulic gap setting with push button controls on the control panel for easy setting of desired gap to suit individual feed crushing.

In the unlikely event of the entry of iron pieces, along with the feed, **PROcone** detects the entry and the crusher setting automatically opens up as the pressure builds, until the unbreakable piece is discharged from the cone. Thereafter the cone crusher comes back to its original setting and regular crushing continues.

### **Performance and capability**

**PROcone** is most versatile-it has different cavity designs, varied eccentric throws to suit the crushing requirements of the aggregate and mining industry assuring top-grade quality as well as quantity of end products.

### **Liner replacement**

Worn out liners can be easily dismantled from the top as well. No backing compound is required while replacing worn out liners with new ones. Liners are duly machined to match the mounting surface for quick and easy change over.

### **Lubrication**

Pumps, oil filtration, oil pressure and flow monitoring units as well as air cooled heat exchanger are part of the inbuilt compact lubrication system of **PROcone**.

### **Operating economy**

There is improved inter particle crushing due to design and efficiency of the different crushing chambers in **PROcone**. The liners wear out evenly so that the manganese steel casting is optimally utilized, thereby enabling the crusher to operate more economically, efficiently and consistently.





# Capacity of PROcone Seco

## Capacity of PROcone Secondary Standard (STD) crusher Setting c.s.s

Cavity	Tons/ hour	Ecc Throw	20 mm 3/4"	24 mm 1"	30 mm 1 3/16"	36 mm 1 3/8"	40 mm 1 9/16"	45 mm 1 3/4"
3510	Mtph	ST		113-117	123-127	133-137	143-147	153-157
	Stph			126-130	137-141	148-152	159-163	170-174
	Mtph	MT			148-152	163-167	173-177	183-187
	Stph				164-169	181-186	192-197	203-208
	Mtph	LT				203-207	218-222	
	Stph					225-230	242-247	
3508	Mtph	ST	83-85	103-107	123-127	143-147	163-167	
	Stph		92-94	114-119	137-141	159-163	181-186	
	Mtph	MT		128-132	153-157	179-183	202-207	
	Stph			142-147	170-174	199-203	224-230	
	Mtph	LT			193-196	223-227	243	
	Stph				214-218	248-252	270	



## Setting c.s.s

Cavity	Tons/ hour	Ecc Throw	22 mm 7/8"	26 mm 1 1/32"	28 mm 1 1/16"	32 mm 1 1/4"	36 mm 1 3/8"	40 mm 1 9/16"	44 mm 1 3/4"	48 mm 1 7/8"
4510	Mtph	ST	149-152	163-168	171-174	184-187	203-208	219-222	235-239	244-247
	Stph		166-169	181-187	190-194	205-208	226-231	244-247	261-266	271-275
	Mtph	MT		204-208	216-219	232-236	254-257	272-275	289-292	
	Stph			227-231	240-244	258-262	282-286	302-306	321-325	
	Mtph	LT			258-262	278-282	303-306	329-333		
	Stph				287-292	309-314	337-340	366-370		
Cavity	Tons/ hour	Ecc Throw	16 mm 5/8"	18 mm 11/16"	20 mm 3/4"	24 mm 1"	26 mm 1 1/32"	28 mm 1 1/16"	30 mm 1 3/16"	32 mm 1 1/4"
4508	Mtph	ST	122-127	133-136	139-142	156-162	163-167	170-173	179-182	198-192
	Stph		136-141	148-151	155-158	174-180	182-186	189-193	199-203	209-214
	Mtph	MT		164-167	174-177	194-198	203-207	212-214		
	Stph			183-186	194-197	216-220	226-230	236-238		
	Mtph	LT		198-201	208-212	233-237	244-247			
	Stph			220-224	231-236	259-264	271-275			

ST - Short Throw, MT-Medium Throw, LT-Large Throw



# Secondary & Tertiary crushers

## Capacity of PROcone Tertiary Fine Head (FH) crusher Setting c.s.s

Cavity	Tons/ hour	Ecc Throw	12 mm	14 mm	16 mm	18 mm	20 mm	22 mm	24 mm
			1/2"	9/16"	5/8"	11/16"	3/4"	7/8"	1"
3506	Mtph	ST	63-66	69-72	73-77	74-78	78-81	83-87	89-92
	Stph		70-74	77-80	81-86	83-87	87-90	93-97	99-103
	Mtph	MT		83-87	94-97	93-96	98-102	108-112	
	Stph			93-97	105-108	104-107	109-114	120-125	
	Mtph	LT			109-111	113-117	112-116		
	Stph				121-124	126-130	125-129		
Cavity	Tons/ hour	Ecc Throw	10 mm	12 mm	14 mm	16 mm	18 mm	20 mm	22 mm
			3/8"	1/2"	9/16"	5/8"	11/16"	3/4"	7/8"
3505	Mtph	ST	54-58	58-62	63-67	62-65	69-72	73-76	76-78
	Stph		60-65	65-69	70-75	69-73	77-80	81-85	84-87
	Mtph	MT	68-71	73-77	78-82	83-87	89-91		
	Stph		76-79	81-86	87-91	93-97	99-101		
	Mtph	LT		83-86	94-98	98-99			
	Stph			93-96	105-109	109-110			



## Setting c.s.s

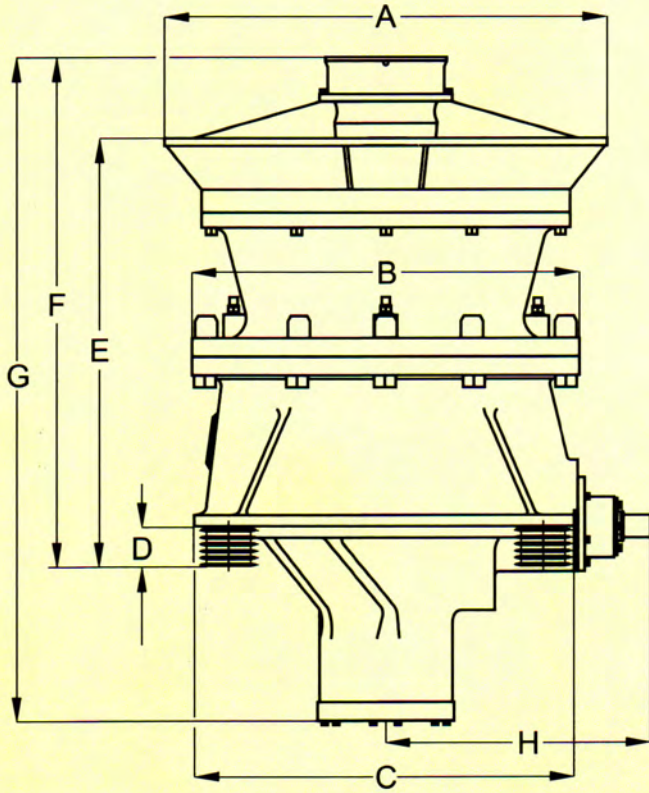
Cavity	Tons/ hour	Ecc Throw	16 mm	18 mm	20 mm	22 mm	24 mm	26 mm	28 mm	30 mm
			3/16"	11/16"	3/4"	7/8"	1"	1 1/32"	1 1/16"	1 3/16"
4507	Mtph	ST	123-126	133-136	140-143	149-152	156-159	162-164	170-173	180-184
	Stph		137-140	148-152	156-159	166-169	174-177	180-183	189-193	200-205
	Mtph	MT		163-166	172-175	183-186	193-196	203-206	208-211	
	Stph			182-185	192-195	204-207	215-218	226-229	232-235	
	Mtph	LT			208-211	218-223	228-232	238-242		
	Stph				232-235	243-248	254-258	265-269		
Cavity	Tons/ hour	Ecc Throw	14mm	16 mm	18 mm	20 mm	22 mm	24 mm	26 mm	38 mm
			3/16"	5/8"	11/16"	3/4"	7/8"	1"	1 1/32"	1 1/2"
4505	Mtph	ST	114-117	123-126	136-140	138-142	148-151	156-160	164-166	169-172
	Stph		127-130	137-140	151-156	154-158	165-168	174-178	183-185	188-192
	Mtph	MT		153-157	163-166	172-174	180-184	190-193	204-207	
	Stph			170-175	182-185	192-194	200-205	211-214	227-230	
	Mtph	LT			193-197	213-217	219-223	230-234		
	Stph				215-219	237-241	244-248	256-260		

ST - Short Throw, MT-Medium Throw, LT-Large Throw

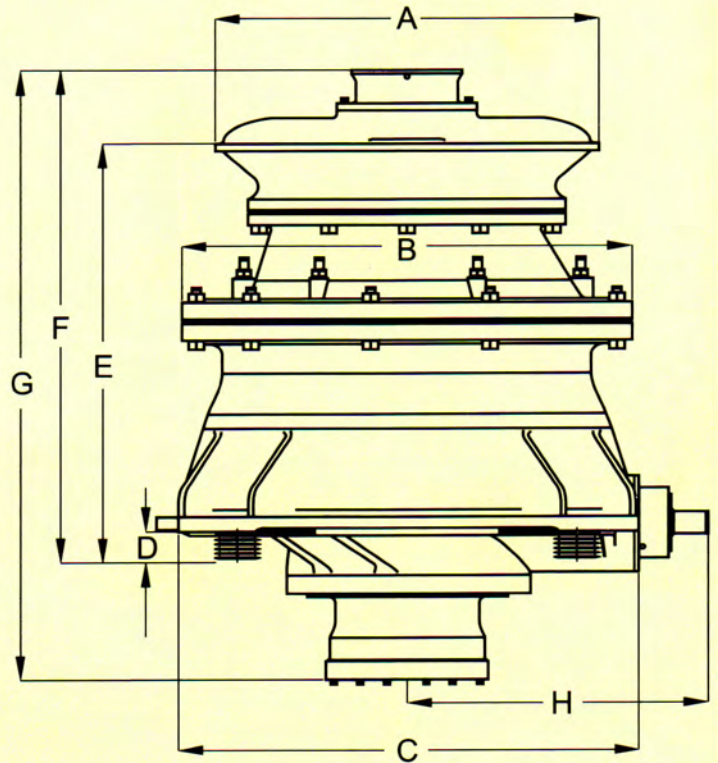


# Dimensions

## Standard



## Fine Head

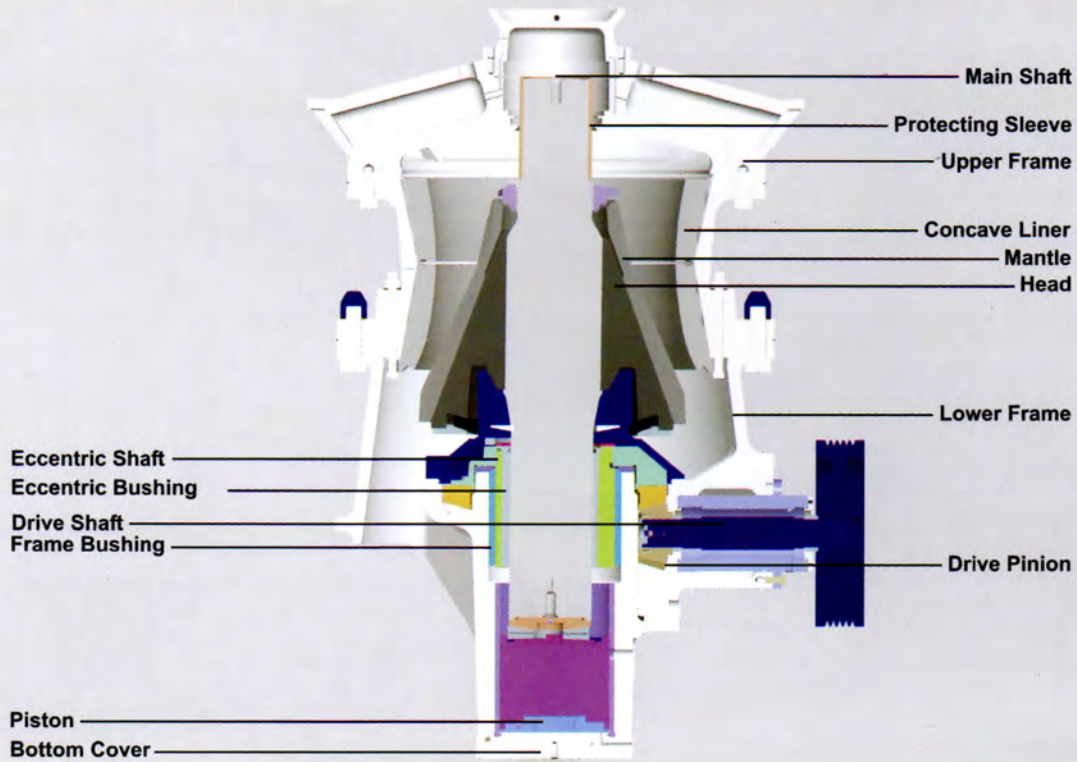


### DIAMETER (inch/mm)

		A	B	C	D	E	F	G	H
35" Standard	inch	59	52.5	51.6	4.8	56.4	67	88.9	35.1
	mm	1500	1330	1312	123	1433	1703	2259	893
35" Fine Head	inch	43.3	52.5	51.6	4.8	46	57.5	79.4	35.1
	mm	1100	1330	1312	123	1163	1463	2019	893
45" Standard	inch	61	67.5	67.7	4.8	62.6	73.4	90.2	44.3
	mm	1550	1710	1721	123	1591	1866	2293	1127
45" Fine Head	inch	57	67.5	67.7	4.8	62.2	73.4	90.2	44.3
	mm	1450	1710	1721	123	1581	1866	2293	1127



# Typical Cross section of PROcone Crushers



## PROcone SECONDARY STANDARD (STD) CRUSHER

Cavity	Max feed size	Motor Size (kilowatt/Horse Power)	Max lift during liner change	Total Weight (kilos/pounds)
3510	220mm	75-90 kw	1900 kg	8500 kg
	8 3/4"	100-125 HP	4220 lbs	18900 lbs
3508	180mm	75-90 kw	1900 kg	8500 kg
	7"	100-125 HP	4220 lbs	18900 lbs
4510	180mm	132-160 kw	3000 kg	11500 kg
	7"	200-250 HP	6600 lbs	25500 lbs
4508	160mm	132-160 kw	3000 kg	11500 kg
	6 1/4"	200-250 HP	6600 lbs	25500 lbs

## PROcone TERTIARY FINE HEAD (FH) CRUSHER

Cavity	Max feed size	Motor Size (kilowatt/Horse Power)	Max lift during liner change	Total Weight (kilos/pounds)
3506	120mm	75-90 kw	1400 kg	6000 kg
	4 3/4"	100-125 HP	3100 lbs	13330 lbs
3505	100mm	75-90 kw	1400 kg	6000 kg
	4"	100-125 HP	3100 lbs	13330 lbs
4507	150mm	132-160 kw	2800 kg	10250 kg
	5.5"	200-250 HP	6250 lbs	22200 lbs
4505	100mm	132-160 kw	2800 kg	10250 kg
	4"	200-250 HP	6250 lbs	22200 lbs

For finer cavities on the 35" and 45" PRO series Fine Head cone crusher contact **PROMAN**



## State-of-the-art crushing solutions

Proman Infrastructure Services Pvt Ltd is a company formed by a group of professionals with extensive experience and expertise in Crushing, Screening and Heavy Equipment. Our main focus areas are in the field of crushing, screening and mineral processing.

**PROMAN** provides the following services:

- Manufacture and supply of world class crushing and screening equipment.
- Detailed design and engineering for turnkey crushing and screening systems.
- Project Management for crushing and screening systems.
- After sales service for crushing systems.
- Supply of wears and spares for crushers.

Crushing and screening is an unique field. Apart from the crusher and processes involving it, one has to have control/influence on the upstream operations like mining, drilling and blasting. When these are planned in coordination, the lowest cost per ton of the final crushed product can be obtained.

To most quarry owners, the challenge is to obtain the right quality of aggregates at the right price. This can be achieved only by having complete control on the equipment, the crushing process, aftersales and spares.

Keeping all this in mind, **PROMAN** was formed. At **PROMAN**, we have an unique alternative approach in the crushing field to provide such expertise to contractors and quarry owners.

## Aftersales Service

In each and every sale at **PROMAN**,  
aftersales service is the key.

**PROMAN** with its team of highly experienced engineers provides prompt and efficient aftersales service. Our service engineers are well-trained on the application side thereby providing total solutions to our customers.

Choose from a wide range of **PROcone** series, each adaptable into your crushing circuit and flexible for your changing project needs.

EXCLUSIVELY SOLD AND SERVICED  
IN THE AMERICAS BY:



263 S Vasco Road

Livermore, CA 94551 USA

Tel (925) 447-0805

Fax (925) 447-7038

Email: [crush@remcovsi.com](mailto:crush@remcovsi.com)

Website: [www.remcovsi.com](http://www.remcovsi.com)

**The PROMAN range includes:**

- **PROjaw** primary and secondary single toggle jaw crushers
- **PROcone** Standard and Fine Head cone crushers
- **Finedoor** vibrating screens and feeders
- **ORTNER** washing equipment for fines removal
- **Mobile & Stationary 2 and 3 stage crushing plants**
- **PROMAN TESAB** - range of track equipment

For any crushing requirements, please consult **PROMAN** for selection and technical recommendations.

**PROMAN**  
Crushing Solutions by Professionals

Proman Infrastructure Services Pvt Ltd  
No.5 KIADB, Kumbalgodu, Phase 2, Bangalore 560 074.  
Phone : 0091-80-28437967/ 68/ 69/ 70  
Mob : 91-9844262870, Fax: 0091-80-28437971  
Email : [promaninfi@yahoo.com](mailto:promaninfi@yahoo.com)